



Wonderail is patented with new patents pending.

## THE ADJUSTABLE STAIR RAIL SYSTEM THAT WE HAVE PUT TOGETHER... SO YOU DON'T HAVE TO.

Exclusively from Coffman, preassembled and adjustable balustrade systems available with either **Pin Top** balusters (Traditional) or **Square Top** balusters (Mt. Vernon and Franciscan).

- Assembled Handrail, Balusters, and Base.
- Both stair units and balcony units designed to meet 4" sphere codes.

## TRADITIONAL AVAILABLE UNFINISHED AND PREFINISHED

- Available unfinished in Red Oak w/ Oak or Primed Balusters.
- Also available **PREFINISHED** (Red Oak w/ Oak or White Balusters) in a beautiful natural finish and three Minwax® colors: Golden Oak, Early American and Provincial.
- Fillet pieces are cut at one end and ready for the final angle cut.
- Stair units are adjustable from a slope of 32° - 45°. Balcony units are fixed.



Available with a shoe rail base for use on both open and closed stairs.



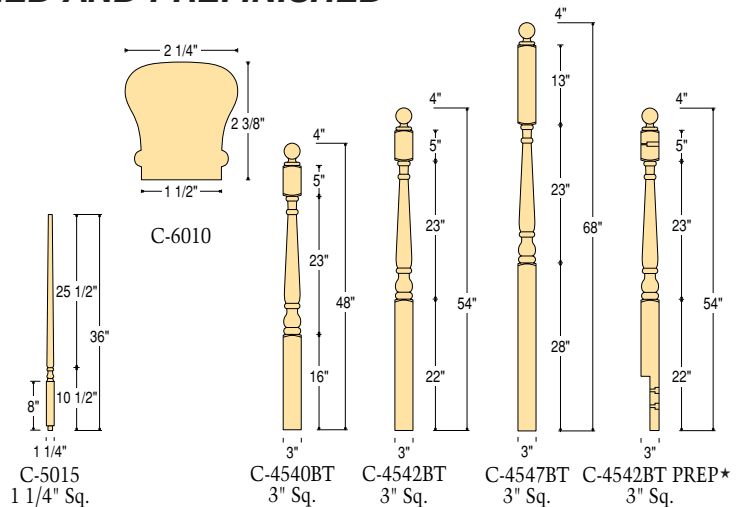
Available in a 7-1/4" wide cap board base for use on closed stairs.



### STAIR UNIT, HEIGHT 34"

ITEM NO.	SPECIFY BALUSTER	LENGTH
C-1034	OAK or PRIMED	4'
C-1034	OAK or PRIMED	6'
C-1034	OAK or PRIMED	8'
C-1034	OAK or PRIMED	10'
C-1034	OAK or PRIMED	12'
C-1034	OAK or PRIMED	14'
C-1034	OAK or PRIMED	16'
C-1044	OAK or PRIMED	4'
C-1044	OAK or PRIMED	6'
C-1044	OAK or PRIMED	8'
C-1044	OAK or PRIMED	10'
C-1044	OAK or PRIMED	12'
C-1044	OAK or PRIMED	14'
C-1044	OAK or PRIMED	16'

NOTE: 34" units for rake applications only.



### BALCONY UNIT, HEIGHT 38"

ITEM NO.	SPECIFY BALUSTER	LENGTH
C-1038	OAK or PRIMED	4'
C-1038	OAK or PRIMED	6'
C-1038	OAK or PRIMED	8'

NOTE: 38" units for balcony applications only. Balcony units are manufactured with shoe base only.

\*Prepped newel is half-notched, predrilled, and shipped complete with lag bolts, washers, and 1" plugs. (For use with C-1044 Cap Base ONLY)

### NEWEL POSTS AND ACCESSORIES

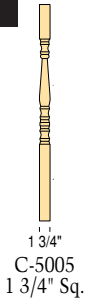
ITEM NO.	SPECIE	DESCRIPTION
C-4540BT	OAK	Starting Newel
C-4542BT	OAK	Starting Newel
C-4542BT-PREP	OAK	Prepped Starting Newel
C-4547BT	OAK	Landing Newel
C-4542BT-1/2	OAK	Half Newel
C-3505-30	OAK	L-Bracket Post Fastener
C-3000	OAK	Flush Mount Plug 1"
C-3010	OAK	Flush Mount Plug 1/2"
C-3015	OAK	Button Plug 1/2"
C-3020	OAK	Button Plug 1"
C-7337	OAK	Rosette

## MT. VERNON

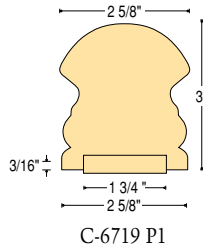
- Available unfinished in Red Oak only.
- Fillet included, uncut, and loose.
- Adjustable from a slope of 32° – 41°.

### STAIR UNIT, HEIGHT 34"

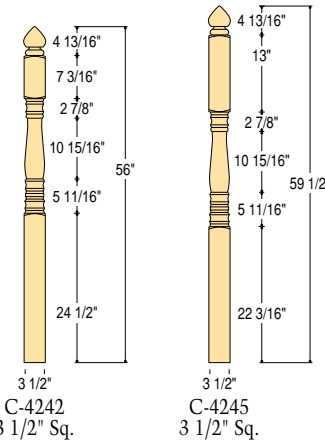
ITEM NO.	SPECIE	LENGTH
C-1234	OAK	3'
C-1234	OAK	4'
C-1234	OAK	6'
C-1234	OAK	8'
C-1234	OAK	10'
C-1234	OAK	12'
C-1234	OAK	14'



NOTE: 34" units for rake applications only.



C-6719 P1



C-4242  
3 1/2" Sq.

C-4245  
3 1/2" Sq.



### NEWEL POSTS AND ACCESSORIES

ITEM NO.	DESCRIPTION
C-4242 OAK	Starting Newel
C-4245 OAK	Landing Newel
C-4242-1/2 OAK	Half Newel
C-3505-35 OAK	L-Bracket Post Fastener
C-3000 OAK	Flush Mount Plug 1"
C-3010 OAK	Flush Mount Plug 1/2"
C-3015 OAK	Button Plug 1/2"
C-3020 OAK	Button Plug 1"
C-7337 OAK	Rosette

### BALCONY UNIT, HEIGHT 38"

ITEM NO.	SPECIE	LENGTH
C-1238	OAK	4'
C-1238	OAK	6'
C-1238	OAK	8'

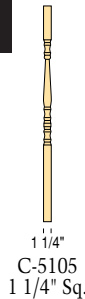
NOTE: 38" units for balcony applications only.

## FRANCISCAN

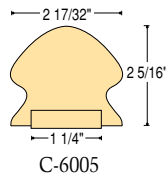
- Available unfinished in Red Oak or Beech.
- Fillet Included, Uncut and Loose.
- Adjustable from a slope of 32° – 41°.

### STAIR UNIT, HEIGHT 34"

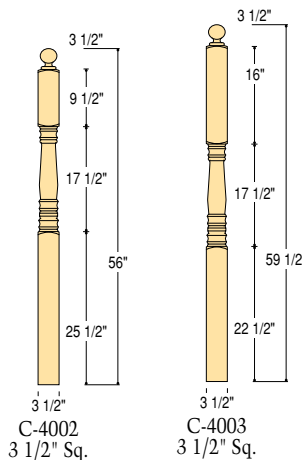
ITEM NO.	SPECIFY	LENGTH
C-1134	OAK or BEECH	3'
C-1134	OAK or BEECH	4'
C-1134	OAK or BEECH	6'
C-1134	OAK or BEECH	8'
C-1134	OAK or BEECH	10'
C-1134	OAK or BEECH	12'
C-1134	OAK or BEECH	14'



NOTE: 34" units for rake applications only.



C-6005



C-4002  
3 1/2" Sq.

C-4003  
3 1/2" Sq.



### NEWEL POSTS AND ACCESSORIES

ITEM NO.	SPECIFY	DESCRIPTION
C-4002	OAK or BEECH	Starting Newel
C-4003	OAK or BEECH	Landing Newel
C-4002-1/2	OAK or BEECH	Half Newel
C-3505-35	OAK or BEECH	L-Bracket Post Fastener
C-3000	OAK	Flush Mount Plug 1"
C-3010	OAK	Flush Mount Plug 1/2"
C-3015	OAK	Button Plug 1/2"
C-3020	OAK	Button Plug 1"
C-7317	OAK or BEECH	Rosette